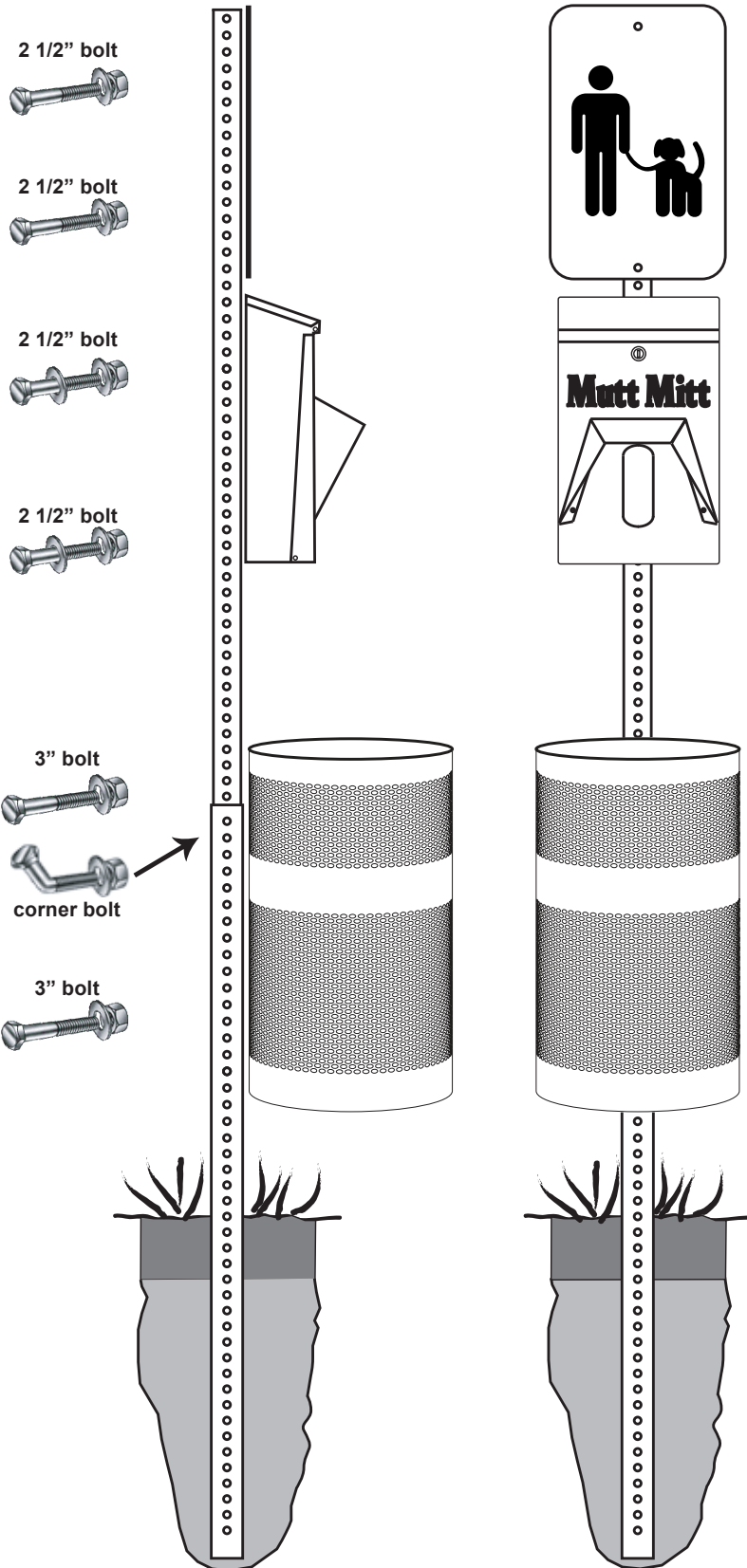


Mutt Mitt Station Installation Spec Sheet



1

Setting the Post

Place 4' post (2" square) in a hole 18" deep. Position and anchor post using temporary supports. Fill hole with concrete mix to a few inches below finish grade. Pour water and allow it to soak in. After concrete is cured, level hole with excavated material.

2

Completing the Post

Insert 5' post (1.75" square) into 4' post and align holes. Insert corner bolt in the second hole from top of 4' post. The bolt should extend through the back of the post.

3

Adding Station Components

Attach sign starting in upper most hole of post. Attach the dispenser approximately 1 or 2 inches below sign. Attach waste receptacle approximately 6 inches from ground.

Hardware Summary

- 5 - 2 1/2" bolts (1/4")
- 2 - 3" bolts (1/4")
- 1 - 2" corner bolt (5/16")
- 9 - flat washers
- 6 - nuts (1/4")
- 1 - nut (5/16")